



**ECOPERLA**

## **ECOPERLA MULTICAB MULTIFUNCTIONAL SYSTEM**

---

### **DESCRIPTION**

The Ecoperla Multicab multifunctional cabinet system is used to filter utility water from own intake. The device is based on the principle of ion exchange. During this process, contaminants dissolved in water are exchanged for sodium ions. It uses a special proprietary blend of Ecoperla resins, which can remove exceeded concentrations of iron, manganese and ammonium ions, as well as water hardness and colour. The regeneration process takes place using salt (sodium chloride NaCl), available in a tablet form.

### **CHARACTERISTICS**

- Fully automatic, electronic control of the regeneration process with the use of a high-quality automatic Clack control valve
- Simple hydraulic connection
- Effective removal of mechanical contaminants
- Low salt consumption
- Built-in flow meter allows for time, volume and mixed control of the regeneration process
- Compact housing

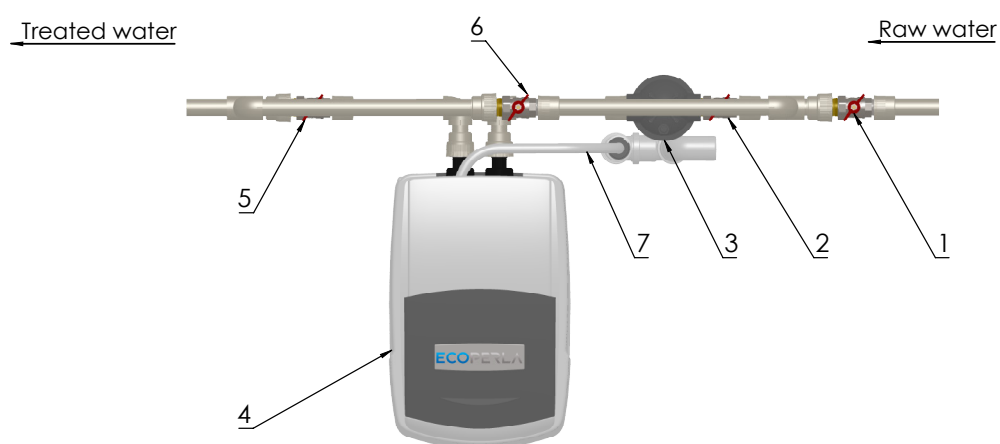
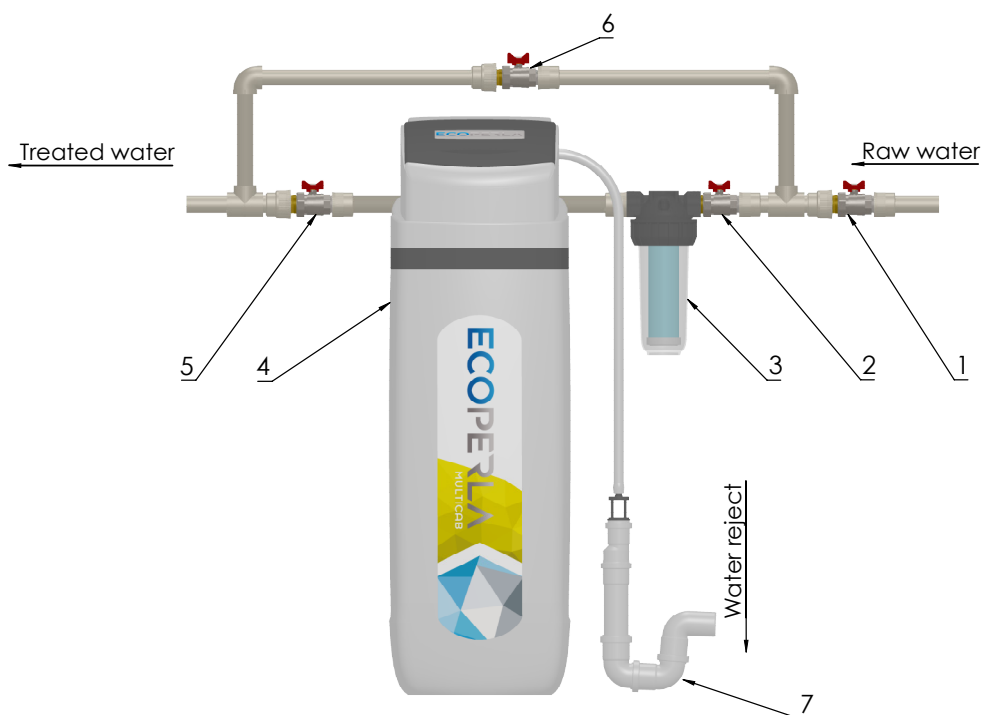


## TECHNICAL SPECIFICATIONS

Medium amount	30 l
Height	114,5 cm
Width	32 cm
Depth	51 cm
Salt consumption per regeneration	3,6 kg
Water consumption per regeneration	270 l
Max. recommended operating flow rate	2,4 m <sup>3</sup> /h
Connection	1"
Temperature (min/max)	4/45 °C
Pressure (min/max)	2,5/6 bar
Required water flow during the rinsing process [m <sup>3</sup> /h]	2,5 bar



## ECOPERLA MULTICAB CONNECTION DIAGRAM



1.	Main water shut-off valve
2.	Inlet valve to Ecoperla Multicab
3.	Mechanical water filter
4.	Ecoperla Multicab
5.	Outlet valve from Ecoperla Multicab
6.	Bypass valve
7.	Drain to the sewage system

### NOTES

- Automatic regeneration with salt solution.
- Since brine is dosed by a precise injector, a mechanical pre-filter should be used to protect the control valve from suspended solids.